



Republic of the Philippines  
Province of Iloilo  
MUNICIPALITY OF MIAGAO  
BARANGAY MALAGYAN  
BIDS AND AWARDS COMMITTEE



## **Invitation to Bid for the CONSTRUCTION OF DRAINAGE CANAL AT BARANGAY MALAGYAN**

1. **Barangay Malagyan, Miagao, Iloilo**, through the Government of the Philippines Kapangyarihan at Kaunlaran sa Barangay Bagong Pag-asa Program 2022 intends to apply the sum of **P 297, 201.80** being the Approved Budget for the Contract (ABC) to payments under the contract for the **Construction of Drainage Canal at Barangay Malagyan** with Project Identification Number **18**. Bids received in excess of the ABC shall be automatically rejected at bid opening.
2. **Barangay Malagyan, Miagao, Iloilo** now invites bids for the above Procurement Project. Completion of the Works is required **Twenty (20) Calendar Days**. Bidders should have completed a contract similar to the Project. The description of an eligible bidder is contained in the Bidding Documents, particularly, in Section II (Instructions to Bidders).
3. Bidding will be conducted through open competitive bidding procedures using non-discretionary "*pass/fail*" criterion as specified in the 2016 revised Implementing Rules and Regulations (IRR) of Republic Act (RA) No. 9184.
4. Interested bidders may obtain further information from **Barangay Malagyan** and inspect the Bidding Documents at the address given below from **8:00 a.m. to 5:00 p.m. during work days**.
5. A complete set Bidding Documents may be acquired by interested bidders on **July 13, 2022 to July 21, 2022** from given address and website below

6. Bids must be duly received by the BAC Secretariat through manual submission at the office address as indicated below on or before **July 21, 2022; 9:00 a.m.** Late bids shall not be accepted.
7. All bids must be accompanied by a bid security in any of the acceptable forms and in the amount stated in **ITB** Clause 16.
8. Bid opening shall be on **July 21, 2022; 9:30 a.m** at the **Barangay Hall of Barangay Malagayan, Miagao, Iloilo** . Bids will be opened in the presence of the bidders' representatives who choose to attend the activity.
9. **Barangay Malagayan, Miagao, Iloilo** reserves the right to reject any and all bids, declare a failure of bidding, or not award the contract at any time prior to contract award in accordance with Sections 35.6 and 41 of the 2016 revised Implementing Rules and Regulations (IRR) of RA No. 9184, without thereby incurring any liability to the affected bidder or bidders.
10. For further information, please refer to:

**SECRETARIAT**  
**Bids and Awards Committee Office**  
**Barangay Malagayan, Miagao, Iloilo**  
**Mobile Number: 09066018210**

11. You may visit the following websites:

For downloading of Bidding Documents: **[www.miagao.gov.ph](http://www.miagao.gov.ph)**

---

*[Date of Issue]*

  
*Randy F. Olmido*  
\_\_\_\_\_  
**BAC Chairperson**

## ***Section II. Instructions to Bidders***

### **Notes on the Instructions to Bidders**

This Section on the Instruction to Bidders (ITB) provides the information necessary for bidders to prepare responsive bids, in accordance with the requirements of the Procuring Entity. It also provides information on bid submission, eligibility check, opening and evaluation of bids, post-qualification, and on the award of contract.

## 1. **Scope of Bid**

The Procuring Entity, **Barangay Malagyan, Miagao, Iloilo** invites Bids for the **Construction of Drainage Canal at Barangay Malagyan**, with Project Identification Number **18**.

The Procurement Project (referred to herein as “Project”) is for the **Construction of Drainage Canal at Barangay Malagyan**, as described in Section VI (Specifications).

## 2. **Funding Information**

21. The GOP through the source of funding as indicated below for **Budget Year 2022** in the amount of **P 297, 201.80**

22. The source of funding is

Government of the Philippines Kapangyarian at Kaunlaran sa Barangay Bagong Pag-asa Program 2022.

## 3. **Bidding Requirements**

The Bidding for the Project shall be governed by all the provisions of RA No. 9184 and its 2016 revised IRR, including its Generic Procurement Manual and associated policies, rules and regulations as the primary source thereof, while the herein clauses shall serve as the secondary source thereof.

Any amendments made to the IRR and other GPPB issuances shall be applicable only to the ongoing posting, advertisement, or invitation to bid by the BAC through the issuance of a supplemental or bid bulletin.

The Bidder, by the act of submitting its Bid, shall be deemed to have inspected the site, determined the general characteristics of the contracted Works and the conditions for this Project, such as the location and the nature of the work; (b) climatic conditions; (c) transportation facilities; (c) nature and condition of the terrain, geological conditions at the site communication facilities, requirements, location and availability of construction aggregates and other materials, labor, water, electric power and access roads; and (d) other factors that may affect the cost, duration and execution or implementation of the contract, project, or work and examine all instructions, forms, terms, and project requirements in the Bidding Documents.

#### **4. Corrupt, Fraudulent, Collusive, Coercive, and Obstructive Practices**

The Procuring Entity, as well as the Bidders and Contractors, shall observe the highest standard of ethics during the procurement and execution of the contract. They or through an agent shall not engage in corrupt, fraudulent, collusive, coercive, and obstructive practices defined under Annex “I” of the 2016 revised IRR of RA No. 9184 or other integrity violations in competing for the Project.

#### **5. Eligible Bidders**

51. Only Bids of Bidders found to be legally, technically, and financially capable will be evaluated.
52. The Bidder must have an experience of having completed a Single Largest Completed Contract (SLCC) that is similar to this Project, equivalent to at least fifty percent (50%) of the ABC adjusted, if necessary, by the Bidder to current prices using the PSA’s CPI, except under conditions provided for in Section 23.4.2.4 of the 2016 revised IRR of RA No. 9184.

A contract is considered to be “similar” to the contract to be bid if it has the major categories of work stated in the **BDS**.

53. For Foreign-funded Procurement, the Procuring Entity and the foreign government/foreign or international financing institution may agree on another track record requirement, as specified in the Bidding Document prepared for this purpose.
54. The Bidders shall comply with the eligibility criteria under Section 23.4.2 of the 2016 IRR of RA No. 9184.

#### **6. Origin of Associated Goods**

There is no restriction on the origin of Goods other than those prohibited by a decision of the UN Security Council taken under Chapter VII of the Charter of the UN.

#### **7. Subcontracts**

- 7.1. The Bidder may subcontract portions of the Project to the extent allowed by the Procuring Entity as stated herein, but in no case more than fifty percent (50%) of the Project.

The Procuring Entity has prescribed that:

Subcontracting is not allowed.

## **8. Pre-Bid Conference**

The Procuring Entity will not hold a pre-bid conference for this Project.

## **9. Clarification and Amendment of Bidding Documents**

Prospective bidders may request for clarification on and/or interpretation of any part of the Bidding Documents. Such requests must be in writing and received by the Procuring Entity, either at its given address or through electronic mail indicated in the **IB**, at least ten (10) calendar days before the deadline set for the submission and receipt of Bids.

## **10. Documents Comprising the Bid: Eligibility and Technical Components**

- 10.1. The first envelope shall contain the eligibility and technical documents of the Bid as specified in **Section IX. Checklist of Technical and Financial Documents**.
- 10.2. If the eligibility requirements or statements, the bids, and all other documents for submission to the BAC are in foreign language other than English, it must be accompanied by a translation in English, which shall be authenticated by the appropriate Philippine foreign service establishment, post, or the equivalent office having jurisdiction over the foreign bidder's affairs in the Philippines. For Contracting Parties to the Apostille Convention, only the translated documents shall be authenticated through an apostille pursuant to GPPB Resolution No. 13-2019 dated 23 May 2019. The English translation shall govern, for purposes of interpretation of the bid.
- 10.3. A valid PCAB License is required, and in case of joint ventures, a valid special PCAB License, and registration for the type and cost of the contract for this Project. Any additional type of Contractor license or permit shall be indicated in the **BDS**.
- 10.4. A List of Contractor's key personnel (e.g., Project Manager, Project Engineers, Materials Engineers, and Foremen) assigned to the contract to be bid, with their complete qualification and experience data shall be provided. These key personnel must meet the required minimum years of experience set in the **BDS**.

- 10.5. A List of Contractor's major equipment units, which are owned, leased, and/or under purchase agreements, supported by proof of ownership, certification of availability of equipment from the equipment lessor/vendor for the duration of the project, as the case may be, must meet the minimum requirements for the contract set in the **BDS**.

## **11. Documents Comprising the Bid: Financial Component**

- 11.1. The second bid envelope shall contain the financial documents for the Bid as specified in **Section IX. Checklist of Technical and Financial Documents**.
- 11.2. Any bid exceeding the ABC indicated in paragraph 1 of the **IB** shall not be accepted.
- 11.3. For Foreign-funded procurement, a ceiling may be applied to bid prices provided the conditions are met under Section 31.2 of the 2016 revised IRR of RA No. 9184.

## **12. Alternative Bids**

Bidders shall submit offers that comply with the requirements of the Bidding Documents, including the basic technical design as indicated in the drawings and specifications. Unless there is a value engineering clause in the **BDS**, alternative Bids shall not be accepted.

## **13. Bid Prices**

All bid prices for the given scope of work in the Project as awarded shall be considered as fixed prices, and therefore not subject to price escalation during contract implementation, except under extraordinary circumstances as determined by the NEDA and approved by the GPPB pursuant to the revised Guidelines for Contract Price Escalation guidelines.

## **14. Bid and Payment Currencies**

- 14.1. Bid prices may be quoted in the local currency or tradeable currency accepted by the BSP at the discretion of the Bidder. However, for purposes of bid evaluation, Bids denominated in foreign currencies shall be converted to Philippine currency based on the exchange rate as published in the BSP reference rate bulletin on the day of the bid opening.
- 14.2. Payment of the contract price shall be made in:

**Philippine Pesos.**

## **15. Bid Security**

- 15.1. The Bidder shall submit a Bid Securing Declaration or any form of Bid Security in the amount indicated in the **BDS**, which shall be not less than the percentage of the ABC in accordance with the schedule in the **BDS**.
- 15.2. The Bid and bid security shall be valid until One Hundred Twenty (120) Calendar Days. Any bid not accompanied by an acceptable bid security shall be rejected by the Procuring Entity as non-responsive.

## **16. Sealing and Marking of Bids**

Each Bidder shall submit one copy of the first and second components of its Bid.

The Procuring Entity may request additional hard copies and/or electronic copies of the Bid. However, failure of the Bidders to comply with the said request shall not be a ground for disqualification.

If the Procuring Entity allows the submission of bids through online submission to the given website or any other electronic means, the Bidder shall submit an electronic copy of its Bid, which must be digitally signed. An electronic copy that cannot be opened or is corrupted shall be considered non-responsive and, thus, automatically disqualified.

## **17. Deadline for Submission of Bids**

The Bidders shall submit on the specified date and time and either at its physical address or through online submission as indicated in paragraph 6 of the **IB**.

## **18. Opening and Preliminary Examination of Bids**

- 18.1. The BAC shall open the Bids in public at the time, on the date, and at the place specified in paragraph 8 of the **IB**. The Bidders' representatives who are present shall sign a register evidencing their attendance. In case videoconferencing, webcasting or other similar technologies will be used, attendance of participants shall likewise be recorded by the BAC Secretariat.

In case the Bids cannot be opened as scheduled due to justifiable reasons, the rescheduling requirements under Section 29 of the 2016 revised IRR of RA No. 9184 shall prevail.



182. The preliminary examination of Bids shall be governed by Section 30 of the 2016 revised IRR of RA No. 9184.

## **19. Detailed Evaluation and Comparison of Bids**

- 19.1. The Procuring Entity's BAC shall immediately conduct a detailed evaluation of all Bids rated "*passed*" using non-discretionary pass/fail criteria. The BAC shall consider the conditions in the evaluation of Bids under Section 32.2 of 2016 revised IRR of RA No. 9184.
- 19.2. If the Project allows partial bids, all Bids and combinations of Bids as indicated in the **BDS** shall be received by the same deadline and opened and evaluated simultaneously so as to determine the Bid or combination of Bids offering the lowest calculated cost to the Procuring Entity. Bid Security as required by **ITB** Clause 16 shall be submitted for each contract (lot) separately.
- 19.3. In all cases, the NFCC computation pursuant to Section 23.4.2.6 of the 2016 revised IRR of RA No. 9184 must be sufficient for the total of the ABCs for all the lots participated in by the prospective Bidder.

## **20. Post Qualification**

Within a non-extendible period of five (5) calendar days from receipt by the Bidder of the notice from the BAC that it submitted the Lowest Calculated Bid, the Bidder shall submit its latest income and business tax returns filed and paid through the BIR Electronic Filing and Payment System (eFPS), and other appropriate licenses and permits required by law and stated in the **BDS**.

## **21. Signing of the Contract**

The documents required in Section 37.2 of the 2016 revised IRR of RA No. 9184 shall form part of the Contract. Additional Contract documents are indicated in the **BDS**.

## ***Section III. Bid Data Sheet***

### **Notes on the Bid Data Sheet (BDS)**

The Bid Data Sheet (BDS) consists of provisions that supplement, amend, or specify in detail, information, or requirements included in the ITB found in Section II, which are specific to each procurement.

This Section is intended to assist the Procuring Entity in providing the specific information in relation to corresponding clauses in the ITB and has to be prepared for each specific procurement.

The Procuring Entity should specify in the BDS information and requirements specific to the circumstances of the Procuring Entity, the processing of the procurement, and the bid evaluation criteria that will apply to the Bids. In preparing the BDS, the following aspects should be checked:

- a. Information that specifies and complements provisions of the ITB must be incorporated.
- b. Amendments and/or supplements, if any, to provisions of the ITB as necessitated by the circumstances of the specific procurement, must also be incorporated.

# Bid Data Sheet

ITB Clause																					
5.2	For this purpose, contracts similar to the Project refer to contracts which have the same major categories of work, which shall be: <b>Construction Projects</b>																				
7.1	No further Instructions.																				
10.3	No further Instructions.																				
10.4	<p>The key personnel must meet the required minimum years of experience set below:</p> <table style="width: 100%; border-collapse: collapse;"> <thead> <tr> <th style="text-align: left;">Key personnel</th> <th style="text-align: center;">No. of persons</th> <th style="text-align: center;">Gen. Experience</th> <th style="text-align: center;">Relevant Experience</th> </tr> </thead> <tbody> <tr> <td>Project manager</td> <td style="text-align: center;">1</td> <td style="text-align: center;">5 years</td> <td style="text-align: center;">2 years</td> </tr> <tr> <td>Project engineer</td> <td style="text-align: center;">1</td> <td style="text-align: center;">5 years</td> <td style="text-align: center;">2 years</td> </tr> <tr> <td>Site engineer</td> <td style="text-align: center;">1</td> <td style="text-align: center;">5 years</td> <td style="text-align: center;">2 years</td> </tr> <tr> <td>General foreman</td> <td style="text-align: center;">1</td> <td style="text-align: center;">5 years</td> <td style="text-align: center;">2 years</td> </tr> </tbody> </table>	Key personnel	No. of persons	Gen. Experience	Relevant Experience	Project manager	1	5 years	2 years	Project engineer	1	5 years	2 years	Site engineer	1	5 years	2 years	General foreman	1	5 years	2 years
Key personnel	No. of persons	Gen. Experience	Relevant Experience																		
Project manager	1	5 years	2 years																		
Project engineer	1	5 years	2 years																		
Site engineer	1	5 years	2 years																		
General foreman	1	5 years	2 years																		
10.5	<p>The minimum major equipment requirements are the following:</p> <table style="width: 100%; border-collapse: collapse;"> <thead> <tr> <th style="text-align: left;"><b>Equipment</b></th> <th style="text-align: center;"><b>Qty</b></th> <th style="text-align: center;"><b>Capacity (minimum)</b></th> </tr> </thead> <tbody> <tr> <td>Concrete Mixer (1 Bagger)</td> <td style="text-align: center;">2</td> <td style="text-align: center;">1 bagger</td> </tr> </tbody> </table>	<b>Equipment</b>	<b>Qty</b>	<b>Capacity (minimum)</b>	Concrete Mixer (1 Bagger)	2	1 bagger														
<b>Equipment</b>	<b>Qty</b>	<b>Capacity (minimum)</b>																			
Concrete Mixer (1 Bagger)	2	1 bagger																			

12	No further Instructions.
15.1	<p>The bid security shall be in the form of a Bid Securing Declaration or any of the following forms and amounts:</p> <ul style="list-style-type: none"> <li>a The amount of not less than <b>P 5,944.03</b> if bid security is in cash, cashier's/manager's check, bank draft/guarantee or irrevocable letter of credit;</li> <li>b The amount of not less than <b>P 14,860.09</b> if bid security is in Surety Bond.</li> </ul>
19.2	Partial bids are not allowed.
20	No further instructions.
21	Additional contract documents relevant to the Project that may be required by existing laws and/or the Procuring Entity, such as construction schedule and S-curve, manpower schedule, construction methods, construction safety and health program approved by the DOLE, and other acceptable tools of project scheduling.

## ***Section IV. General Conditions of Contract***

### **Notes on the General Conditions of Contract**

The General Conditions of Contract (GCC) in this Section, read in conjunction with the Special Conditions of Contract in Section V and other documents listed therein, should be a complete document expressing all the rights and obligations of the parties.

Matters governing performance of the Contractor, payments under the contract, or matters affecting the risks, rights, and obligations of the parties under the contract are included in the GCC and Special Conditions of Contract.

Any complementary information, which may be needed, shall be introduced only through the Special Conditions of Contract.

## 1. Scope of Contract

This Contract shall include all such items, although not specifically mentioned, that can be reasonably inferred as being required for its completion as if such items were expressly mentioned herein. All the provisions of RA No. 9184 and its 2016 revised IRR, including the Generic Procurement Manual, and associated issuances, constitute the primary source for the terms and conditions of the Contract, and thus, applicable in contract implementation. Herein clauses shall serve as the secondary source for the terms and conditions of the Contract.

This is without prejudice to Sections 74.1 and 74.2 of the 2016 revised IRR of RA No. 9184 allowing the GPPB to amend the IRR, which shall be applied to all procurement activities, the advertisement, posting, or invitation of which were issued after the effectivity of the said amendment.

## 2. Sectional Completion of Works

If sectional completion is specified in the **Special Conditions of Contract (SCC)**, references in the Conditions of Contract to the Works, the Completion Date, and the Intended Completion Date shall apply to any Section of the Works (other than references to the Completion Date and Intended Completion Date for the whole of the Works).

## 3. Possession of Site

31. The Procuring Entity shall give possession of all or parts of the Site to the Contractor based on the schedule of delivery indicated in the **SCC**, which corresponds to the execution of the Works. If the Contractor suffers delay or incurs cost from failure on the part of the Procuring Entity to give possession in accordance with the terms of this clause, the Procuring Entity's Representative shall give the Contractor a Contract Time Extension and certify such sum as fair to cover the cost incurred, which sum shall be paid by Procuring Entity.
32. If possession of a portion is not given by the above date, the Procuring Entity will be deemed to have delayed the start of the relevant activities. The resulting adjustments in contract time to address such delay may be addressed through contract extension provided under Annex "E" of the 2016 revised IRR of RA No. 9184.

## 4. The Contractor's Obligations

The Contractor shall employ the key personnel named in the Schedule of Key Personnel indicating their designation, in accordance with **ITB** Clause 10.3 and specified in the **BDS**, to carry out the supervision of the Works.

The Procuring Entity will approve any proposed replacement of key personnel only if their relevant qualifications and abilities are equal to or better than those of the personnel listed in the Schedule.

## **5. Performance Security**

- 5.1. Within ten (10) calendar days from receipt of the Notice of Award from the Procuring Entity but in no case later than the signing of the contract by both parties, the successful Bidder shall furnish the performance security in any of the forms prescribed in Section 39 of the 2016 revised IRR.
- 5.2. The Contractor, by entering into the Contract with the Procuring Entity, acknowledges the right of the Procuring Entity to institute action pursuant to RA No. 3688 against any subcontractor be they an individual, firm, partnership, corporation, or association supplying the Contractor with labor, materials and/or equipment for the performance of this Contract.

## **6. Site Investigation Reports**

The Contractor, in preparing the Bid, shall rely on any Site Investigation Reports referred to in the SCC supplemented by any information obtained by the Contractor.

## **7. Warranty**

- 7.1. In case the Contractor fails to undertake the repair works under Section 62.2.2 of the 2016 revised IRR, the Procuring Entity shall forfeit its performance security, subject its property(ies) to attachment or garnishment proceedings, and perpetually disqualify it from participating in any public bidding. All payables of the GOP in his favor shall be offset to recover the costs.
- 7.2. The warranty against Structural Defects/Failures, except that occasioned-on force majeure, shall cover the period from the date of issuance of the Certificate of Final Acceptance by the Procuring Entity. Specific duration of the warranty is found in the SCC.

## **8. Liability of the Contractor**

Subject to additional provisions, if any, set forth in the SCC, the Contractor's liability under this Contract shall be as provided by the laws of the Republic of the Philippines.

If the Contractor is a joint venture, all partners to the joint venture shall be jointly and severally liable to the Procuring Entity.

## **9. Termination for Other Causes**

Contract termination shall be initiated in case it is determined *prima facie* by the Procuring Entity that the Contractor has engaged, before, or during the implementation of the contract, in unlawful deeds and behaviors relative to contract acquisition and implementation, such as, but not limited to corrupt, fraudulent, collusive, coercive, and obstructive practices as stated in ITB Clause 4.

## **10. Dayworks**

Subject to the guidelines on Variation Order in Annex “E” of the 2016 revised IRR of RA No. 9184, and if applicable as indicated in the **SCC**, the Dayworks rates in the Contractor’s Bid shall be used for small additional amounts of work only when the Procuring Entity’s Representative has given written instructions in advance for additional work to be paid for in that way.

## **11. Program of Work**

**11.1.** The Contractor shall submit to the Procuring Entity’s Representative for approval the said Program of Work showing the general methods, arrangements, order, and timing for all the activities in the Works. The submissions of the Program of Work are indicated in the **SCC**.

**11.2.** The Contractor shall submit to the Procuring Entity’s Representative for approval an updated Program of Work at intervals no longer than the period stated in the **SCC**. If the Contractor does not submit an updated Program of Work within this period, the Procuring Entity’s Representative may withhold the amount stated in the **SCC** from the next payment certificate and continue to withhold this amount until the next payment after the date on which the overdue Program of Work has been submitted.

## **12. Instructions, Inspections and Audits**

The Contractor shall permit the GOP or the Procuring Entity to inspect the Contractor’s accounts and records relating to the performance of the Contractor and to have them audited by auditors of the GOP or the Procuring Entity, as may be required.

## **13. Advance Payment**

The Procuring Entity shall, upon a written request of the Contractor which shall be submitted as a Contract document, make an advance payment to the Contractor in an amount not exceeding fifteen percent (15%) of the total contract price, to be made in lump sum, or at the most two installments according to a schedule specified in the **SCC**, subject to the requirements in Annex “E” of the 2016 revised IRR of RA No. 9184.

## **14. Progress Payments**

The Contractor may submit a request for payment for Work accomplished. Such requests for payment shall be verified and certified by the Procuring Entity’s Representative/Project Engineer. Except as otherwise stipulated in the **SCC**, materials and equipment delivered on the site but not completely put in place shall not be included for payment.



## **15. Operating and Maintenance Manuals**

- 15.1.** If required, the Contractor will provide “as built” Drawings and/or operating and maintenance manuals as specified in the **SCC**.
- 15.2.** If the Contractor does not provide the Drawings and/or manuals by the dates stated above, or they do not receive the Procuring Entity’s Representative’s approval, the Procuring Entity’s Representative may withhold the amount stated in the **SCC** from payments due to the Contractor.

## ***Section V. Special Conditions of Contract***

### **Notes on the Special Conditions of Contract**

Similar to the BDS, the clauses in this Section are intended to assist the Procuring Entity in providing contract-specific information in relation to corresponding clauses in the GCC found in Section IV.

The Special Conditions of Contract (SCC) complement the GCC, specifying contractual requirements linked to the special circumstances of the Procuring Entity, the Procuring Entity's country, the sector, and the Works procured. In preparing this Section, the following aspects should be checked:

- a. Information that complements provisions of the GCC must be incorporated.
- b. Amendments and/or supplements to provisions of the GCC as necessitated by the circumstances of the specific purchase, must also be incorporated.

However, no special condition which defeats or negates the general intent and purpose of the provisions of the GCC should be incorporated herein.

# Special Conditions of Contract

GCC Clause	
2	No further instructions.
4.1	No further instructions.
6	No further instructions.
7.2	Fifteen (15) years.
10	No dayworks are applicable to the contract.
11.1	The Contractor shall submit the Program of Work to the Procuring Entity's Representative within <b>7</b> days of delivery of the Notice of Award.
11.2	The amount to be withheld for late submission of an updated Program of Work is <b>P 29,720.18</b>
13	The amount of the advance payment is <b>15% of the total contract price and schedule of payment.</b>
14	Materials and equipment delivered on the site but not completely put in place shall not be included for payment.
15.1	The date by which "as built" drawings are required is 7 days.
15.2	The amount to be withheld for failing to produce "as built" drawings and/or operating and maintenance manuals by the date required is <b>P 29,720.18</b>

## ***Section VI. Specifications***

### **Notes on Specifications**

A set of precise and clear specifications is a prerequisite for Bidders to respond realistically and competitively to the requirements of the Procuring Entity without qualifying or conditioning their Bids. In the context of international competitive bidding, the specifications must be drafted to permit the widest possible competition and, at the same time, present a clear statement of the required standards of workmanship, materials, and performance of the goods and services to be procured. Only if this is done will the objectives of economy, efficiency, and fairness in procurement be realized, responsiveness of Bids be ensured, and the subsequent task of bid evaluation facilitated. The specifications should require that all goods and materials to be incorporated in the Works be new, unused, of the most recent or current models, and incorporate all recent improvements in design and materials unless provided otherwise in the Contract.

Samples of specifications from previous similar projects are useful in this respect. The use of metric units is mandatory. Most specifications are normally written specially by the Procuring Entity or its representative to suit the Works at hand. There is no standard set of Specifications for universal application in all sectors in all regions, but there are established principles and practices, which are reflected in these PBDs.

There are considerable advantages in standardizing General Specifications for repetitive Works in recognized public sectors, such as highways, ports, railways, urban housing, irrigation, and water supply, in the same country or region where similar conditions prevail. The General Specifications should cover all classes of workmanship, materials, and equipment commonly involved in construction, although not necessarily to be used in a particular Works Contract. Deletions or addenda should then adapt the General Specifications to the particular Works.

Care must be taken in drafting specifications to ensure that they are not restrictive. In the specification of standards for goods, materials, and workmanship, recognized international standards should be used as much as possible. Where other particular standards are used, whether national standards or other standards, the specifications should state that goods, materials, and workmanship that meet other authoritative standards, and which ensure substantially equal or higher quality than the standards mentioned, will also be acceptable. The following clause may be inserted in the SCC.

#### **Sample Clause: Equivalency of Standards and Codes**

Wherever reference is made in the Contract to specific standards and codes to be met by the goods and materials to be furnished, and work performed or tested, the provisions of the latest current edition or revision of the relevant standards and codes in effect shall apply, unless otherwise expressly stated in the Contract. Where such standards and codes are national, or relate to a particular country or region, other authoritative standards that

ensure a substantially equal or higher quality than the standards and codes specified will be accepted subject to the Procuring Entity's Representative's prior review and written consent. Differences between the standards specified and the proposed alternative standards shall be fully described in writing by the Contractor and submitted to the Procuring Entity's Representative at least twenty-eight (28) days prior to the date when the Contractor desires the Procuring Entity's Representative's consent. In the event the Procuring Entity's Representative determines that such proposed deviations do not ensure substantially equal or higher quality, the Contractor shall comply with the standards specified in the documents.

These notes are intended only as information for the Procuring Entity or the person drafting the Bidding Documents. They should not be included in the final Bidding Documents.

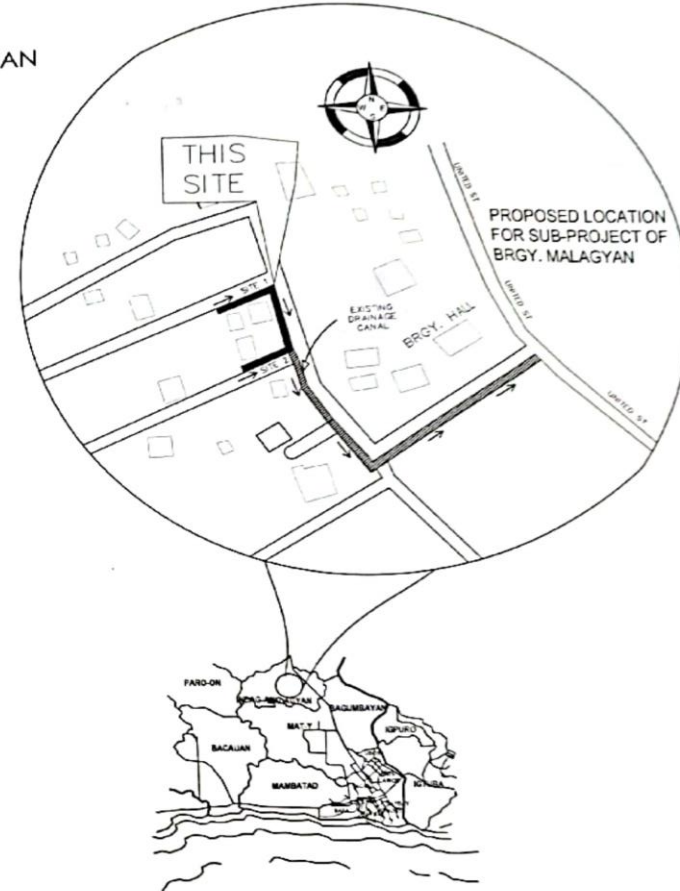
<b>1</b>	<b>Job Contract</b>	<b>Construction of Drainage Canal at Barangay Malagyan, Miagao, Iloilo</b>
		<p><b>For Construction of Drainage Canal of Barangay Malagyan</b></p> <p><b>1. Clearing</b> Qty. 64.80 sq.m</p> <p><b>2. Structural excavation</b> Qty. 38.88 cu.m</p> <p><b>3. Concreting Works</b> Qty: 12.48 cu.m</p> <p><b>4. Project Marker</b> Qty: 1 lot</p> <p><b>5. Billboard Installation</b> Qty: 1 lot</p> <p><b>6. Construction Health and Safety (Covid-19 Safety Protocol)</b> <b>Qty: 1 lot</b></p> <p><i>Temporary facility</i> <i>1 lot</i></p> <p><i>Liquid soap (hand soap 500 ml)</i> <i>2 bottles</i></p> <p><i>Vitamin C (300 mg)</i> <i>3 boxes</i></p> <p><i>Isopropyl alcohol (70%) 500 ml</i> <i>5 bottles</i></p> <p><i>Surgical Mask (3 ply) 50's</i> <i>10 boxes</i></p>

	<p><i>Information Materials (COVID -19 safety)</i>  32 sq. ft</p> <p><i>Plastic Container (5 gal)</i>  2 pcs</p> <p><i>Hand Gloves (rubber palm coated)</i>  15 pairs</p> <p><i>Rubber Boots</i>  4 pairs</p> <p><b>7. Contractors Profit</b>  Qty:1 lot</p> <p><b>8. Contractors Tax</b>  Qty:1 lot</p> <p><b>9. Hand Tool</b>  Qty:1 lot</p> <p><i>Construction Spade</i>  4 pcs</p> <p><i>Plastic Drum (Blue)</i>  5 pcs</p> <p><i>Construction Pail</i>  4 pcs</p> <p><i>Tagad</i>  3 pcs</p> <p><b>10. Material Testing</b>  Qty:1 lot</p> <p><b>11. Project Site Supervisor</b>  Qty:1 lot</p>
--	--

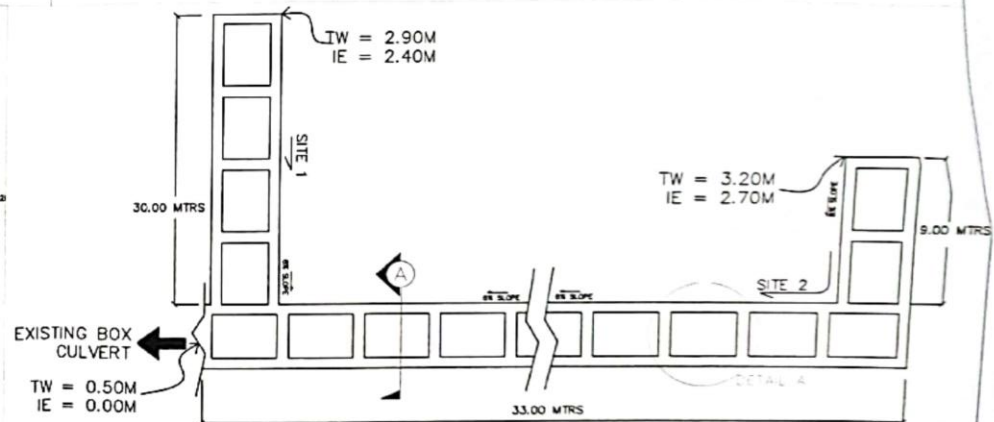
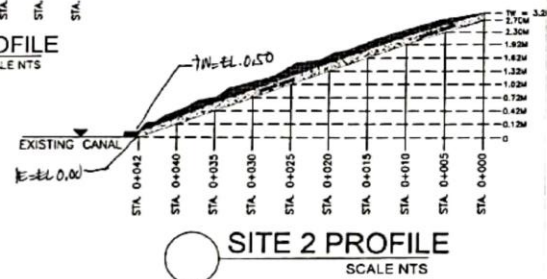
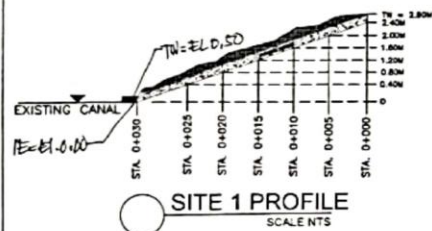
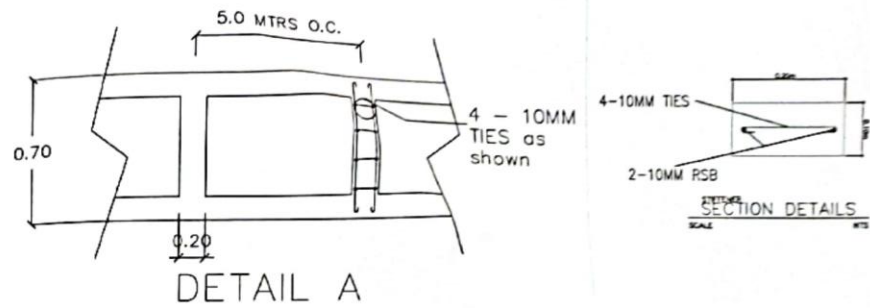
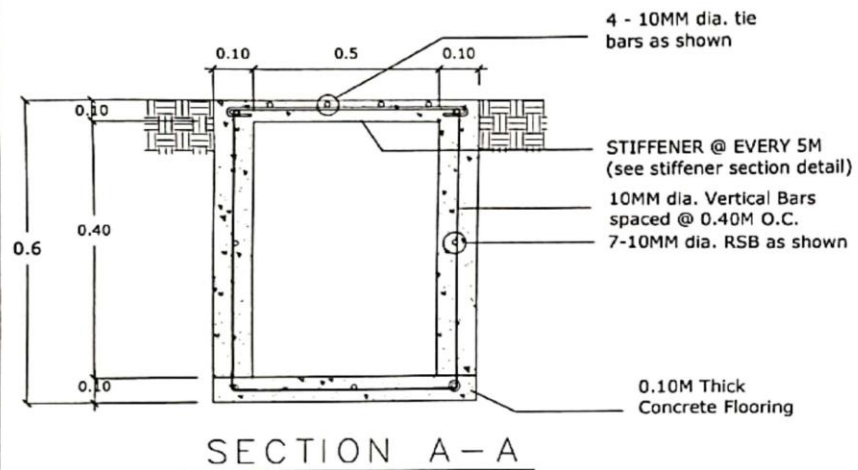
# Section VII. Drawings

## DESCRIPTION OF PROJECT:

COUNTRY NAME : THE REPUBLIC OF THE PHILIPPINES  
 PROJECT NAME : CONSTRUCTION OF DRAINAGE CANAL AT BRGY. MALAGYAN  
 SITE LOCATION : BRGY. MALAGYAN, MIAG-AO, ILOILO  
 TOTAL LENGTH : 72 MTRS



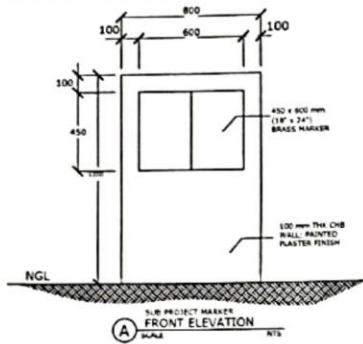
	KALAHI-CIDSS-NCDOP  DEPARTMENT OF SOCIAL WELFARE AND DEVELOPMENT REGION VI	PREPARED BY:  ENGR. JERSON P. TEJADA TECHNICAL FACILITATOR	CHECKED BY:  ENGR. REY C. MOSURA MUNICIPAL ENGINEER	NOTED BY:  ENGR. AMOR P. AMARAN REGIONAL COMMUNITY INFRASTRUCTURE SPECIALIST	APPROVED BY:  HON. BRIAN B. MURILLO ALTERNATE CHAIRPERSON	PROJECT TITLE:  CONSTRUCTION OF DRAINAGE CANAL AT BRGY. MALAGYAN	SHEET CONTENT: SITE VICINITY MAP	SHEET: 1 3



 <p>KALAMI-CIDSS: NCCDDP</p> <p>DEPARTMENT OF SOCIAL WELFARE AND DEVELOPMENT</p> <p>REGION VI</p>	<p>PREPARED BY:</p> <p><i>[Signature]</i></p> <p>ENGR. JERSON P. TEJADA</p> <p>TECHNICAL FACILITATOR</p>	<p>CHECKED BY:</p> <p><i>[Signature]</i></p> <p>ENGR. REV. C. HOSURA</p> <p>MEDICAL ENGINEER</p>	<p>NOTED BY:</p> <p><i>[Signature]</i></p> <p>ENGR. AMOR P. AMARAN</p> <p>REGIONAL COMMUNITY INFRASTRUCTURE SPECIALIST</p>	<p>APPROVED BY:</p> <p><i>[Signature]</i></p> <p>NON-BRIAN O. MURILLO</p> <p>CHIEF PERSONNEL</p>	<p>PROJECT TITLE:</p> <p>CONSTRUCTION OF DRAINAGE CANAL AT BRGY. MALAGYAN</p>	<p>SHEET CONTENT:</p> <p>DRAINAGE CANAL PLAN</p> <p>SECTION A-A</p> <p>DETAIL A</p> <p>STIFFENER SECTION DETAIL</p> <p>SITE 1 AND SITE 2 PROFILE</p>	<p>SHEET:</p> <p>2</p> <p>3</p>
--	--	--	--	--	---	--	---------------------------------



### SUB-PROJECT MARKER DESIGN

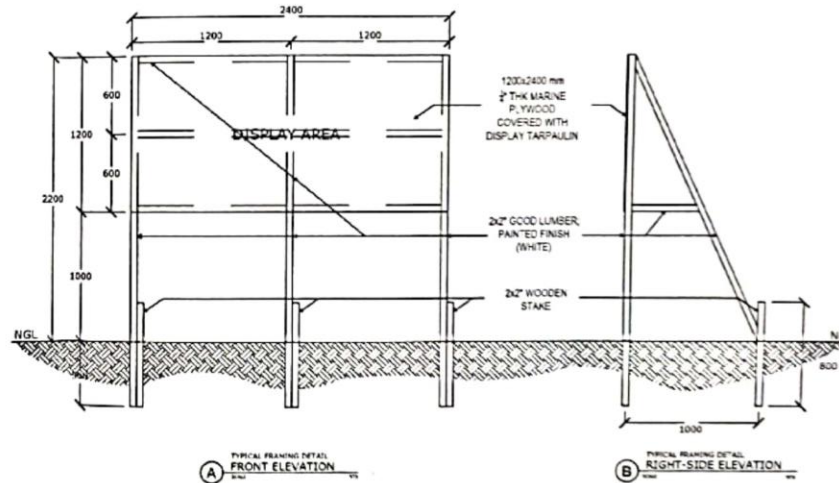
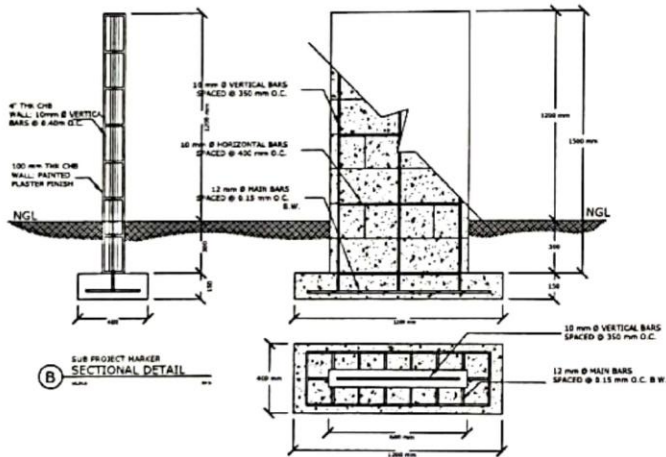


REPUBLIC OF THE PHILIPPINES  
 DEPARTMENT OF SOCIAL WELFARE AND DEVELOPMENT  
 KAPITI-BISIG LABAN SA KAHIRAPAN  
 COMPREHENSIVE AND INTEGRATED DELIVERY OF SOCIAL SERVICES  
**COMMUNITY SUB-PROJECT**  
 LOCATION:



SUB-PROJECT TITLE  
 TOTAL COST  
 KALAHI-CIDSS GRANT  
 COMMUNITY CONTRIBUTION  
 LGU CONTRIBUTION  
 OTHER  
 PROJECT DURATION  
 DATE STARTED  
 TARGET DATE OF COMPLETION  
 PROGRESS REPORT AS OF  
 PHYSICAL ACCOMPLISHMENT  
 FINANCIAL ACCOMPLISHMENT

### SUB-PROJECT BILLBOARD FRAMING DETAILS



KALAHI-CIDSS:NCDDP  
 DEPARTMENT OF SOCIAL WELFARE AND DEVELOPMENT  
 REGION VI

PREPARED BY:  
 ENGR. JERSON P. TEJADA  
 TECHNICAL FACILITATOR

CHECKED BY:  
 ENGR. RON C. MOGURA  
 CIVIL ENGINEER

NOTED BY:  
 ENGR. AMOR P. AMARAN  
 REGIONAL COMMUNITY INFRASTRUCTURE SUPERVISOR

APPROVED BY:  
 HON. BRIJAY B. MURILLO  
 REGIONAL ADMINISTRATOR

PROJECT TITLE:  
 CONSTRUCTION OF DRAINAGE CANAL AT  
 BRGY. MALAGYAN

SHEET CONTENT:  
 SUB-PROJECT BILLBOARD FRAMING DETAILS  
 TYPICAL FRAMING DETAIL FRONT AND RIGHT-SIDE ELEVATION  
 SUB-PROJECT MARKER DESIGN  
 SUB-PROJECT MARKER SECTIONAL DETAIL

SHEET:  
 3  
 3

## *Section VIII. Bill of Quantities*

### **Notes on the Bill of Quantities**

#### **Objectives**

The objectives of the Bill of Quantities are:

- a. to provide sufficient information on the quantities of Works to be performed to enable Bids to be prepared efficiently and accurately; and
- b. when a Contract has been entered into, to provide a priced Bill of Quantities for use in the periodic valuation of Works executed.

In order to attain these objectives, Works should be itemized in the Bill of Quantities in sufficient detail to distinguish between the different classes of Works, or between Works of the same nature carried out in different locations or in other circumstances which may give rise to different considerations of cost. Consistent with these requirements, the layout and content of the Bill of Quantities should be as simple and brief as possible.

#### **Daywork Schedule**

A Daywork Schedule should be included only if the probability of unforeseen work, outside the items included in the Bill of Quantities, is high. To facilitate checking by the Entity of the realism of rates quoted by the Bidders, the Daywork Schedule should normally comprise the following:

- a. A list of the various classes of labor, materials, and Constructional Plant for which basic daywork rates or prices are to be inserted by the Bidder, together with a statement of the conditions under which the Contractor will be paid for work executed on a daywork basis.
- b. Nominal quantities for each item of Daywork, to be priced by each Bidder at Daywork rates as Bid. The rate to be entered by the Bidder against each basic Daywork item should include the Contractor's profit, overheads, supervision, and other charges.

#### **Provisional Sums**

A general provision for physical contingencies (quantity overruns) may be made by including a provisional sum in the Summary Bill of Quantities. Similarly, a contingency allowance for possible price increases should be provided as a provisional sum in the Summary Bill of Quantities. The inclusion of such provisional sums often facilitates budgetary approval by avoiding the need to request periodic supplementary approvals as the future need arises. Where such provisional sums or contingency allowances are used, the SCC should state the manner in which they will be used, and under whose authority (usually the Procuring Entity's Representative's).

The estimated cost of specialized work to be carried out, or of special goods to be supplied, by other contractors should be indicated in the relevant part of the Bill of Quantities as a particular provisional sum with an appropriate brief description. A separate procurement procedure is normally carried out by the Procuring Entity to select such specialized contractors. To provide an element of competition among the Bidders in respect of any facilities, amenities, attendance, etc., to be provided by the successful Bidder as prime Contractor for the use and convenience of the specialist contractors, each related provisional sum should be followed by an item in the Bill of Quantities inviting the Bidder to quote a sum for such amenities, facilities, attendance, etc.

### Signature Box

A signature box shall be added at the bottom of each page of the Bill of Quantities where the authorized representative of the Bidder shall affix his signature. Failure of the authorized representative to sign each and every page of the Bill of Quantities shall be a cause for rejection of his bid.

These Notes for Preparing a Bill of Quantities are intended only as information for the Procuring Entity or the person drafting the Bidding Documents. They should not be included in the final documents.

<b>1</b>	<b>Job Contract</b>	<b>Construction of Drainage Canal at Barangay Malagyan, Miagao, Iloilo</b>	<b>297,201.80</b>
		<b>1. Clearing</b> Qty. 64.80 sq.m  <b>2. Structural excavation</b> Qty. 38.88 cu.m  <b>3. Concreting Works</b> Qty: 12.48 cu.m  <b>4. Project Marker</b> Qty: 1 lot  <b>5. Billboard Installation</b> Qty: 1 lot  <b>6. Construction Health and Safety (Covid-19 Safety Protocol)</b> <b>Qty: 1 lot</b>  <i>Temporary facility</i> <i>1 lot</i>  <i>Liquid soap (hand soap 500 ml)</i>	

	<p>2 bottles Vitamin C (300 mg) 3 boxes</p> <p>Isopropyl alcohol (70%) 500 ml 5 bottles</p> <p>Surgical Mask (3 ply) 50's 10 boxes</p> <p>Information Materials (COVID -19 safety) 32 sq. ft</p> <p>Plastic Container (5 gal) 2 pcs Hand Gloves (rubber palm coated) 15 pairs Rubber Boots 4 pairs</p> <p><b>7. Contractors Profit</b> Qty:1 lot</p> <p><b>8. Contractors Tax</b> Qty:1 lot</p> <p><b>9. Hand Tool</b> Qty:1 lot Construction Spade 4 pcs</p> <p>Plastic Drum (Blue) 5 pcs</p> <p>Construction Pail 4 pcs</p> <p>Tagad 3 pcs</p> <p><b>10. Material Testing</b> Qty:1 lot</p> <p><b>11. Project Site Supervisor</b> Qty:1 lot</p>	
--	---	--

## ***Section IX. Checklist of Technical and Financial Documents***

### **Notes on the Checklist of Technical and Financial Documents**

The prescribed documents in the checklist are mandatory to be submitted in the Bid, but shall be subject to the following:

- a. GPPB Resolution No. 09-2020 on the efficient procurement measures during a State of Calamity or other similar issuances that shall allow the use of alternate documents in lieu of the mandated requirements; or
- b. any subsequent GPPB issuances adjusting the documentary requirements after the effectivity of the adoption of the PBDs.

The BAC shall be checking the submitted documents of each Bidder against this checklist to ascertain if they are all present, using a non-discretionary “pass/fail” criterion pursuant to Section 30 of the 2016 revised IRR of RA No. 9184.

## **Checklist of Technical and Financial Documents**

### **I. TECHNICAL COMPONENT ENVELOPE**

#### ***Class “A” Documents***

##### Legal Documents

- (a) Valid PhilGEPs Registration Certificate (Platinum Membership) (all pages) in accordance with Section 8.5.2 of the IRR;

##### Technical Documents

- ( b ) Statement of the prospective bidder of all its ongoing government and private contracts, including contracts awarded but not yet started, if any, whether similar or not similar in nature and complexity to the contract to be bid; **and**
- ( c ) Statement of the bidder’s Single Largest Completed Contract (SLCC) similar to the contract to be bid, except under conditions provided under the rules; **and**
- ( d ) Special PCAB License in case of Joint Ventures; **and** registration for the type and cost of the contract to be bid; **and**
- ( e ) Original copy of Bid Security. If in the form of a Surety Bond, submit also a certification issued by the Insurance Commission; **or** Original copy of Notarized Bid Securing Declaration; **and**

- ( f ) Project Requirements, which shall include the following:
  - a. Organizational chart for the contract to be bid;
  - b. List of contractor’s key personnel (*e.g.*, Project Manager, Project Engineers, Materials Engineers, and Foremen), to be assigned to the contract to be bid, with their complete qualification and experience data;
  - c. List of contractor’s major equipment units, which are owned, leased, and/or under purchase agreements, supported by proof of ownership or certification of availability of equipment from the equipment lessor/vendor for the duration of the project, as the case may be; **and**
- ( g ) Original duly signed Omnibus Sworn Statement (OSS); **and** if applicable, Original Notarized Secretary’s Certificate in case of a corporation, partnership, or cooperative; or Original Special Power of Attorney of all members of the joint venture giving full power and authority to its officer to sign the OSS and do acts to represent the Bidder.

Financial Documents

- ( h ) The prospective bidder’s computation of Net Financial Contracting Capacity (NFCC).

***Class “B” Documents***

- ( i ) If applicable, duly signed joint venture agreement (JVA) in accordance with RA No. 4566 and its IRR in case the joint venture is already in existence;
  - or**
  - duly notarized statements from all the potential joint venture partners stating that they will enter into and abide by the provisions of the JVA in the instance that the bid is successful.

**II. FINANCIAL COMPONENT ENVELOPE**

- (j) Original of duly signed and accomplished Financial Bid Form; **and**

Other documentary requirements under RA No. 9184

- (k) Original of duly signed Bid Prices in the Bill of Quantities; **and**
- (l) Duly accomplished Detailed Estimates Form, including a summary sheet indicating the unit prices of construction materials, labor rates, and equipment rentals used in coming up with the Bid; **and**
- (m) Cash Flow by Quarter.